



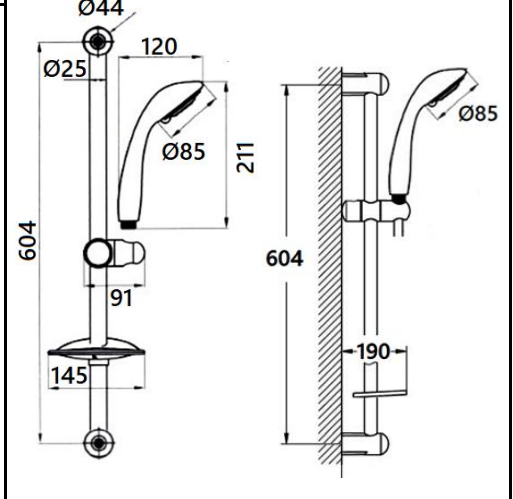
PROJECT		REF		REV	ITEM CODE	
LOCATION		DATE			LEGEND	

**SANITARY WARE SPECIFICATION SHEET**

Item Descriptions	American Standard (PRC) "Moonshadow 100" Chrome plated shower set; with 3 functions hand shower kit; nominated flow rate <b>7 L/min</b> in <b>WELS Grade 1</b> ; Registration No. SB 23-0005	<p>Illustration/ Drawing</p>
Dimensions	L190 x W145 x H604 mm	
Model	WF-9098.000.50	
Finish	Chrome Plated	
Manufacturer	American Standard (PRC)	
Source	Acme Sanitary Ware Co. Ltd Mr. Eric Wong / Mr. Don Yuen	
Contact Tel/Fax	(852) 2388-7171 / (852) 2710-8012	
E-mail	acme@acmesanitary.com.hk	
Website	www.acmesanitary.com.hk	

**1. Nominal Flow Rate**  
(using cold water at around 20°C)

Test	Running Pressure (bar)	Flow Rate (l/min)
1st	0.5	3.15
2nd	1.0	4.24
3rd	1.5	4.98
4th	2.0	5.60
5th	2.5	6.07
6th	3.0	6.24
7th	3.5	6.72
8th	4.0	6.83
9th	4.5	7.16
10th	5.0	7.54
11th	5.5	7.66
12th	6.0	7.98
13th	6.5	8.28
14th	7.0	8.48



**Note:**

\* All information of the above is for the reference only. No prior notice is made if any changes.

註冊號碼 (Registration No.): SB 23-0005



自願參與用水效益標籤計劃 - 沐浴花灑  
Voluntary Water Efficiency Labelling Scheme - Showers for Bathing



FF1-  
CN521H00002450  
(Hand Shower)




FF1-CN521A0006199P  
(Flow Limiter)



茲證明  
This is to certify that

將下列花灑在本計劃內註冊：  
has registered the following shower under this scheme :

牌子 / Brand	:	American Standard
型號 / Model	:	FF1-CN521H00002450 + FF1-CN521A0006199P
原產地 / Country or Region Origin	:	China (Shower and Flow Controller)

在用水效益標籤上展示的標誌 <i>Symbolic Presentation on the Water Efficiency Label</i>	:	 滴水點 <i>Water droplet(s)</i>
用水效益級別 <i>Water Efficiency Grade</i>	:	1
耗水量 <i>Water Consumption</i>	:	7.0 公升/分鐘 <i>litres/minute</i>

簽發日期: 10 February 2023  
Date of Issue:

 水務署  
Water Supplies Department



水務署署長(林麗恒代行)  
for Director of Water Supplies



# Acme Sanitary Ware Co. Ltd.

1/F, Acme Building, 22-28 Nanking Street, Kowloon, Hong Kong

Tel: 2388 7171 Fax: 2710 8012

Email: acme@acmesanitary.com.hk

Website: www.acmesanitary.com.hk

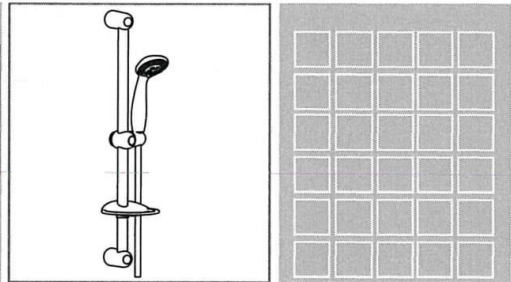
Since 1949

**Thank you for selecting American-Standard - the benchmark of fine quality for over 100 years.**  
**To ensure that your installation proceeds smoothly--please read these instructions carefully before you begin.**

## American Standard

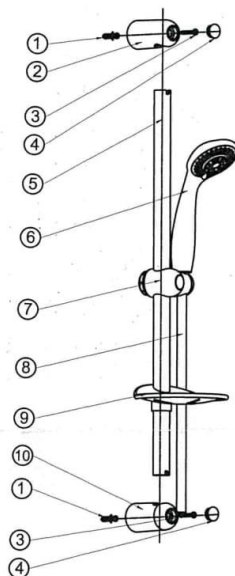
**FFAS9098-000500BF0 (WF-9098.000.50)**  
**Moonshadow 100 Shower Kit**

### Installation & Operation Instruction



#### Parts List

No.	Part Name	Q'ty
1	Anchor	2
2	Upper Mounting Support	1
3	Screw	2
4	Cap	2
5	Tube	1
6	Hand Shower	1
7	Adjustable Shower Holder	1
8	Flexible Hose	1
9	Soap Dish	1
10	Lower Mounting Support	1

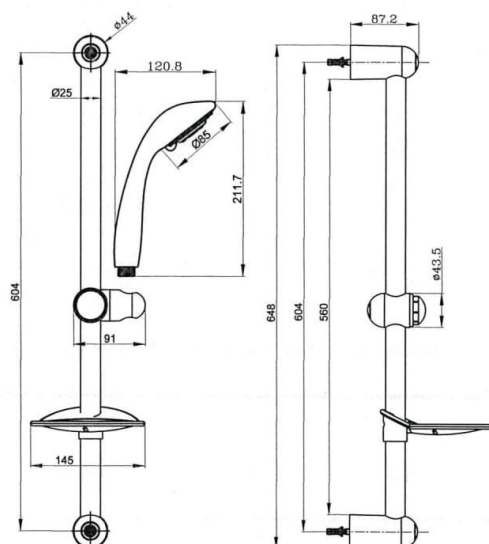


#### Install

##### INSTALLATION STEP

1. Make the marks of the holes for the Mounting Supports according to the dimension in the left side.
2. Spot drill holes MOUNTING SUPPORTS (2)&(10), and remove template drawing.
3. Drill the holes, hammer ANOCHOR (1) into wall and secure LOWER MOUNTING SUPPORT (10) to the wall using SCREW (3).
4. Insert TUBE (5) into LOWER MOUNTING SUPPORT (10), Then rotate it until the groove of TUBE (5) engages the lug of LOWER MOUNTING SUPPORT(10).
5. Place UPPER MOUNTING SUPPORT(2) on the top of TUBE(5), and secure UPPER MOUNTING SUPPORT (2) to the wall using screws(3).
6. Tighten SCREW (3) securely and replace CAPS (4)
7. Loose the screw in button of ADJUSTABLE SHOWER HOLDER(7), move it to desired location. Then tighten the screw.
8. Connect conical nut end of HOSE(8) to HAND SHOWER(6), while another end to shower outlet of faucet. Then place HAND SHOWER(6) to ADJUSTABLE SHOWER HOLDER (7).

#### Dimension



#### Maintenance

##### Repairing

\* When you repair the faucet you will need to shut off hot/cold water supply by closing the water supply valve.

##### Cleaning the surface of faucet

- \* Rinse the product with clean water.
- \* Dry with soft cotton flannel cloth.
- \* Do not clean the product with acid, polish, abrasives, harsh cleaners, or cloth with a harsh surface as these products may damage the finish.

##### Conditions for use

- \* Recommended water pressure condition: 0.1~0.5Mpa.
- \* Environment Temperature: 1~55°C
- \* Not for use as a steam outlet.